

Model: LCT for F401/411/421		Date: 15-Oct-97	No: 6
Subject: LCT Jam		Prepared by: M.Kitajima	
From: QAC Field Information Dept.			
Classification:	<input checked="" type="checkbox"/> Troubleshooting	<input type="checkbox"/> Part information	<input type="checkbox"/> Action required
	<input type="checkbox"/> Mechanical	<input type="checkbox"/> Electrical	<input type="checkbox"/> Service manual revision
	<input type="checkbox"/> Paper path	<input type="checkbox"/> Transmit/receive	<input type="checkbox"/> Retrofit information
	<input type="checkbox"/> Other ()		

SYMPTOM

Paper jams occur when feeding from the LCT. The characteristics of this problem are as follows.

1. Constant jams from LCT installation onwards.
2. Non-paper feed jams.
3. Sometimes there is a crease in the central part of the leading edge of the paper, which results in skewing.

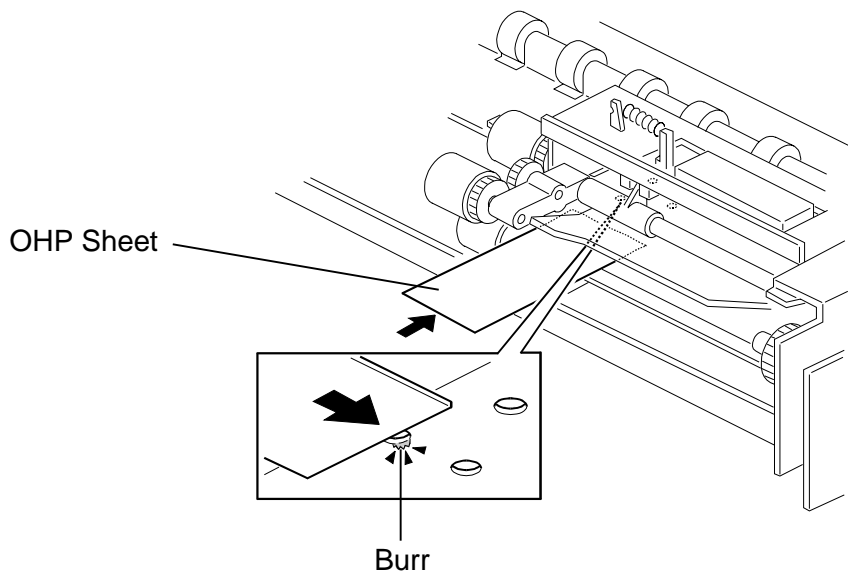
CAUSE

There is a burr in the welded area of the entrance guide plate in the LCT paper feed section.

SOLUTION

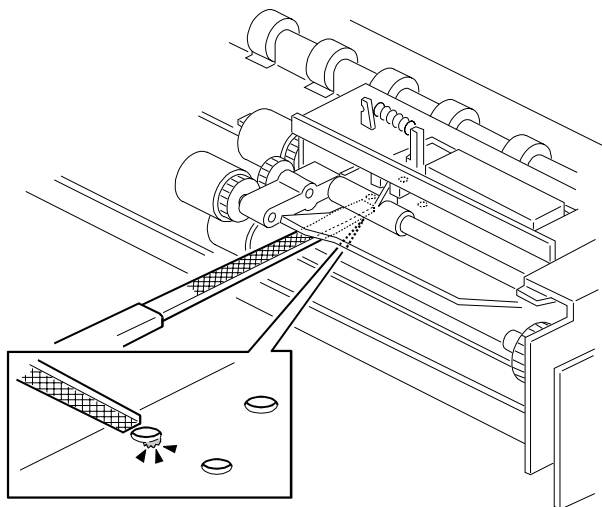
When this problem occurs in machines in the field or when installing an LCT on which the countermeasure has not been implemented, please check for burrs in the following manner.

1. Remove the paper feed unit of the LCT.
2. Carefully insert a piece of OHP sheet along the entrance guide plate as shown.



Model: LCT for F401/411/421	Date: 15-Oct-97	No: 6
-----------------------------	-----------------	-------

- If the OHP gets scratched, the burr on the entrance guide plate should be filed away in the manner shown.



- If the OHP does not get scratched, there is no burr. Another cause needs to be found.

Cut-in Serial Number

The proper part has been included in machines with the following serial numbers.

MODEL NAME	V/ Hz	DESTINATION	CODE	SERIAL NUMBER	Exception
NRG RT34	120/ 60	U. S. A. , Canada etc.	A609 - 10	AF07480001	_____
Savin RT34	120/ 60	U. S. A.	A609 - 15	5A47470001	_____
Ricoh RT34	120/ 60	U. S. A.	A609 - 17	A7077480009	A7077480010,012~189, 275~276
NRG RT34	230/ 50	Europe etc.	A609- 22	AF17450001	AF17450002,006,009, 011~012,014~017,023,025
Infotec RT34	230/ 50	Europe	A609 - 26	3K84770029	3K84770030~034,036~037, 039,044,046~048
Ricoh RT34	230/ 50	Europe, Asia etc.	A609 - 27	A7077470683	A7077470684,695~697, 700~714,717,719~720,731, 735,744~802